

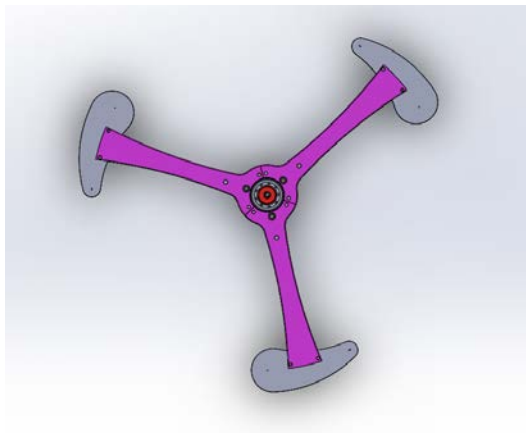
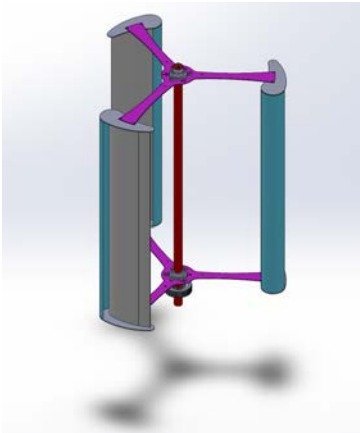
Key Facts:

- founded in 2005
- around 40 teachers involved since 2005
- around 200 active students since 2005
- more than 2000 students participated in workshops
- platform for students/teachers from different backgrounds



Goals of the project:

- build up a mobile windmill
- measure energy production and weather data on different locations
- sensitization for energy saving measures
- build up a working-platform for students/teachers
- create mobile energy source for areas of crisis



current working areas:

- developing a measuring system for weather data and energy production
- developing a visualization system for measured data
- designing new windmill models for small test center for kids
- designing and building up a Canstein-Rotor (C-Rotor) out of fiber glass

Contact:

LYCÉE TECHNIQUE D'ETTELBRUCK
WINDMOBILE
C/O GUY PUTZ
71, AVENUE SALENTINY
L-9080 ETTTELBRUCK
LUXEMBOURG
TEL: 819201-1
EMAIL: WINDMOBILE AT ME.COM
GUY.PUTZ AT LTETT.LU
WWW.WINDMOBILE.LU
WWW.FACEBOOK.COM/WINDMOBILELTETT

